



RF Components

2-Way L-Band Active Splitter

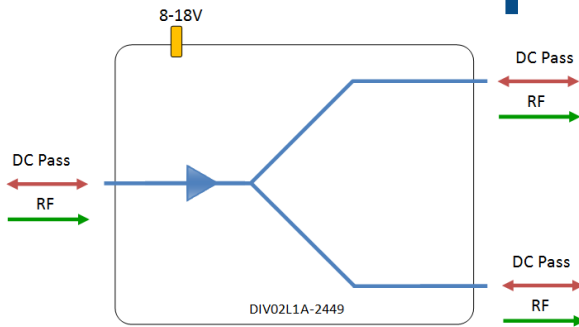
850 - 2150 MHz

Model Number:
DIV02L1A-2449

- Unity gain
- Flat frequency response
- DC pass
- Requires 8-18V external DC bias

Available with RF connector options:

- 50 Ω SMA
- 50 Ω N-type
- 50 Ω BNC
- 75 Ω BNC
- 75 Ω F-type



8-18V
External DC
powering

Compact
Housed in
rugged compact
enclosure

**Flexible
Mounting**
Tapped screw &
through hole
mounting options

850-2150 MHz
Operating frequency
range.



		RF Parameters				
DIV02L1A-2449-XXXX		S5S5	N5N5	B5B5	B7B7	F7F7
Frequency Range		850 - 2150 MHz				
RF Connectors		50Ω SMA	50Ω N-Type	50Ω BNC	75Ω BNC	75Ω F-Type
Mean Gain (dB)		0 ±0.50	0 ±0.50	0 ±0.60	0 ±0.75	0 ±0.75
Flatness ± (dB)		0.4	0.4	0.6	1.0	1.0
Input Return Loss (dB)	Typ.	15	15	15	14	14
	Min	10	10	10	8	8
Output Return Loss (dB)	Typ.	20	20	18	12	12
	Min	14	14	12	8	8
Output P1dB GCP* (dBm)	Typ.	10	10	10	10	10
	Min	8	8	8	8	8
Isolation (dB)		Typ. 18	18	18	18	18
Output IP3 (dBm)		Typ. 23	23	23	23	23
Noise Figure (dB)		Typ. 11	11	11	11	11
Amplitude Balance (dB)		≤0.2	≤0.2	≤0.2	≤0.3	≤0.3
Phase Balance (Φ)		≤5°	≤5°	≤5°	≤5°	≤5°
*GCP (Gain Compression Point)						

Broadcast



Marine Oil & Gas



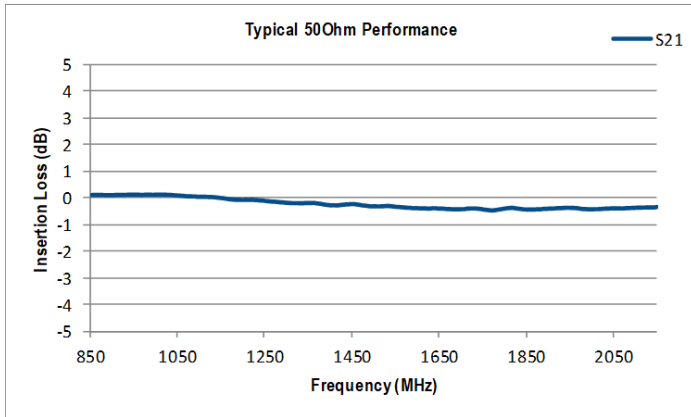
SNG & VSAT



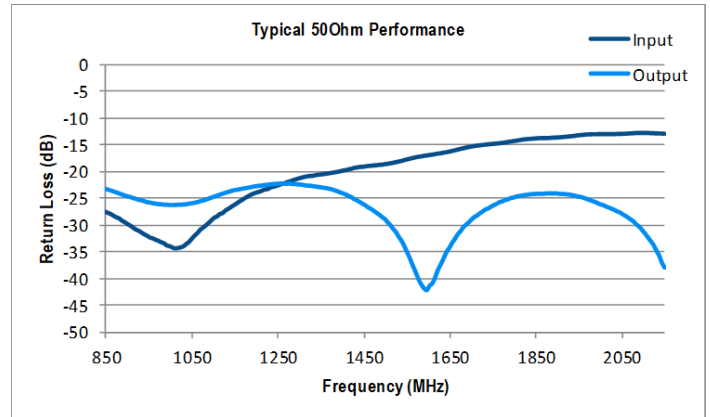
Satellite Teleport



Technical specifications and operating parameters



Insertion Loss (dB)



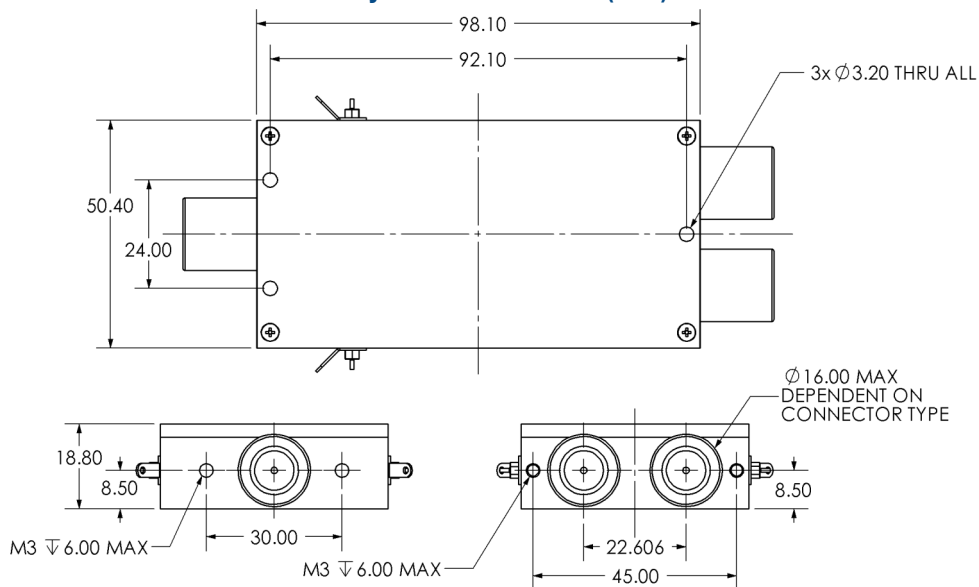
Return Loss (dB)

Environmental	
Operating Temperature	0°C to +45°C
Storage Temperature	-20°C to +75°C
Location	Indoor use Only
Humidity	Max 85% non-condensing
Altitude	Max 10,000 feet

Max Operating Parameters	
Input RF Power	+21 dBm (125mW)
DC Voltage	35V on any RF port
DC Current	Max 2A Total Current on any RF Ports
DC Consumption	100mA Max, 80mA typical

! Operation beyond these limits may cause instantaneous and permanent damage.

Physical Dimensions (mm)



Note: The specification is subject to regular reviews and will be updated from time to time as part of our continuing product development and improved specification accuracy.